

FROM: _____

Ref. _____

+39 051 6720244
+39 051 6720202



www.sassi.it
sales@sassi.it

DATE: ____ / ____ / ____



Inquiry Order Quantity : _____ Scheduled delivery _____

INSTALLATION	GEARBOX	type	LEO	ACCESSORIES
Suspension	... :1	Ratio		<input type="checkbox"/> Rope clamp <input type="checkbox"/> Ropes protection <input type="checkbox"/> Encoder coupling thrustbearing side <input type="checkbox"/> Encoder coupling motor side <input type="checkbox"/> Encoder <input type="checkbox"/> Connector for Inverter type _____ <input type="checkbox"/> Ecobrake Emergency manoeuvre <input type="checkbox"/> Man / man <input type="checkbox"/> Man / ele (drum brake) <input type="checkbox"/> Sheave hardened and tempered <input type="checkbox"/> Sheave protection <input type="checkbox"/> Flat frame <input type="checkbox"/> High frame Distance between ropes mm <input type="checkbox"/> Divertor Ø mm <input type="checkbox"/> Divertor protection <input type="checkbox"/> Vibration-damping <input type="checkbox"/> Outboard support (CA/CS 270mm) <input type="checkbox"/> Packing in box
Cabin speed	m/s	Sheave	Ø	
Duty load	kg	Grooves	n° X Ø	
Cabin + frame	kg	Oil "for life"	included	
Counterweight	kg	MOTOR	Brand Sassi	
Travel H	m	Size		
Ropes	n° x Ø	Syncr. power	kW	
Ropes weight (travel H) m		Poles / rev.	kW	
Compensated ropes	%	Motor tropicalization	<input type="checkbox"/>	
Sts/h		Fan 220/240V monophase	included	
Language for data plates and Handbook : I <input type="checkbox"/> GB <input type="checkbox"/> D <input type="checkbox"/> E <input type="checkbox"/> F <input type="checkbox"/>				
Safety brake on slow shaft <input type="checkbox"/> yes <input type="checkbox"/> predisposition		Type <input type="checkbox"/> Safety brake DFXY SASSI (standard 205V) On request 48-60-104-180V <input type="checkbox"/> other brand (207 V)		Reference norm <input type="checkbox"/> uncontrolled movement in upward direct. <input type="checkbox"/> A3

Grooves pitch: 18mm (for 3-4 ropes $\phi_{max} = 12$); pitch 21 mm (for 3-4 ropes $\phi = 13 \div 16$); pitch 17 (for 5 ropes $\phi_{max} = 12$); pitch 14mm max 6 ropes ϕ 8-9 - Current fan monophase 220/240 V 50/60 Hz (180 sts/h at 2 speeds – 240 sts/h for VVVF) - Motors flanged Sassi: IP21 class F with thermoresistors and star/delta connection - Encoder coupling thrustbearing side - Standard encoder on thrustbearing side with hollow shaft ϕ 25mm with 1024 pulses with push-pull electronics and line driver with feeding from 5 to 30 V - Cable 7m .

MACHINE

MOTOR

BRAKE

GEAR

above
 below
 side
 divertors bearings n°
 divertors bushings n°

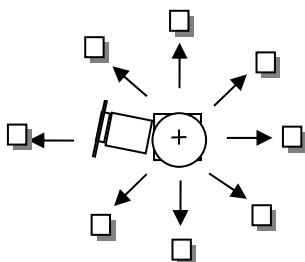
2 speeds (180 sts/h)
 VVVF (240 sts/h)
 V Hz
 Poles / rev.

Drum
 Volt DC

(prearrangement)
 without indication: vertical/left

Right vertical left

Specify ropes direction and angle!



Winding Angle
 $\alpha = \dots\dots\dots^\circ$

Specify groove type !!!

Without indication we will deliver V type with groove 35°/97°

V angle°
 V angle° **with undercut** angle°
 U angle° **with undercut** angle°

Ropes: minimum braking load for each rope kg

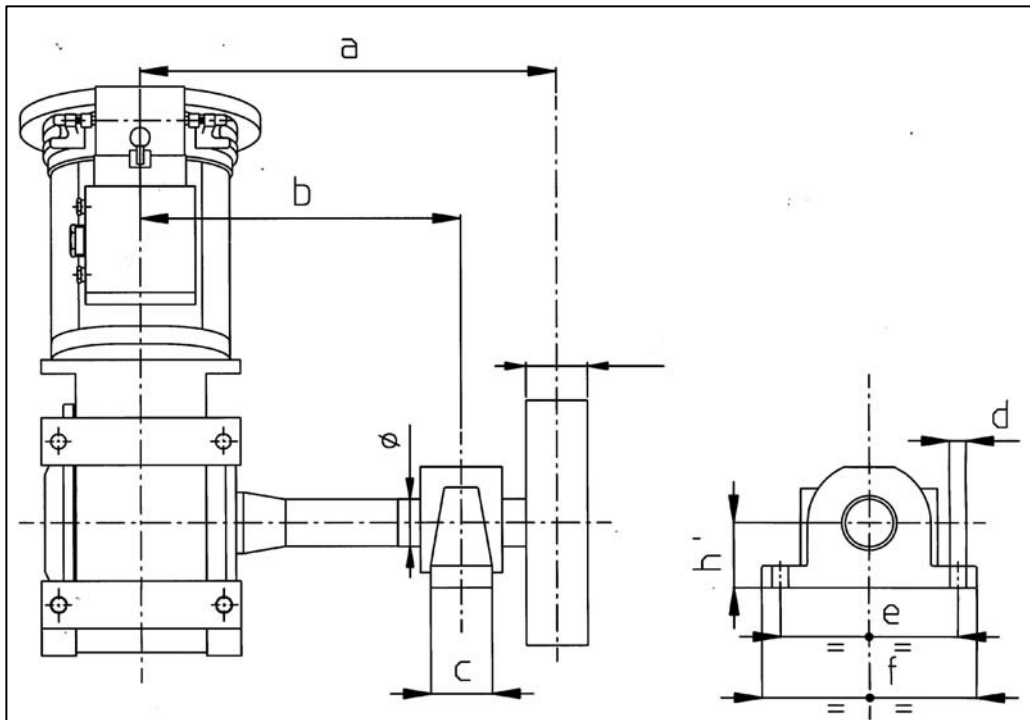
Special executions: With extended shafts please fill in the following form

Da/from/Von/ _____

Rif ordine/ offerta argano
 Betr. Getriebe-bestellung/angebot
 Ref offre / commande treuil
 Ref. Gear's Order/offer -
 Ref pedido/oferta reductor

Argano modello
 Gear's type
 Getriebetyp
 Treuil type
 Reductor tipo

ALBERO ALLUNGATO / EXTENDED SHAFT / VERLANGERTE WELLE / ARBRE ALLONGEE / EJE LARGO *



	mm
a	
b	

Carico statico / static load
Kg.

*NOTA: escluso MB95 MB108 / MB95 MB108 excluded / Ausgenommen MB95 MB108 / Exclu MB95 MB108 / Excluido MB95 MB108