



CTV

***MRP***

Machine Raft Package

# The CTV machine raft package *MRP*

## Flexibility at a competitive price

- Designed for the modernisation of existing lifts with a payload of up to 1000 kg (Q+P max 2300 kg).
- For gearless machines (Ziehl Abegg, Sassi or Dynatech) and gearboxes (Sassi Mody & Leo).
- Fully adaptable to site conditions through unrivalled flexibility in adjustment (10 mm steps).
- Economic, preassembled package solutions for 1:1 and 2:1 reduce installation time and costs.
- 2:1 solution normally does not require new cut-outs in the slab.
- Single ( $\alpha$  min 150°) or double ( $\alpha$  min. 180°) divertor from 210-320 mm diameter.
- High class bearings (SKF, FAG oder NKE) calculated for a minimum life of 20,000 h.
- Standard rope centre distance from 370 to 1050 mm.
- Standard RAL9005 (black) powder coated (other colours and galvanized available upon request).

# Ziehl Abegg

Unmatched in quality and performance the ZETATOP gearless machine is becoming more and more popular in the modernisation of existing lifts. Our machine raft package **MRP** accomodates the SM200 model with traction sheave diameters of up to 320 mm. Depending on the suspension type up to x12, 6 or 6.5 mm diameter or up to x10, 8 mm diameter ropes can be used. On this **MRP** version our experience in supplying these machine rafts to Ziehl Abegg themselves in the past has been a great asset.

Type	TS Ø	Q max [1:1]/[2:1]	Vn max	Nom. torque	Weight
SM200.15C	210-320	320 kg / 630 kg	1.6 m/s	250 Nm	max. 190 kg
SM200.20C	210-320	480 kg / 1000kg	1.6 m/s	330 Nm	max. 240 kg
SM200.30C	210-320	630 kg / 1250kg	1.6 m/s	475 Nm	max. 235 kg
SM200.40C	210-320	800 kg / 1600kg	1.6 m/s	600 Nm	max. 330 kg

# Sassi

Sassi, one of the leading manufacturers of gearboxes for lifts, has established their gearless machines over recent years in the market via a good price to quality relation. In the world of modernisation the models G200, G300 and G400 are increasingly becoming an interesting cost effective alternative. Our machine raft package **MRP** is prepared to accomodate these models with traction sheaves up to 320 mm diameter. Depending on the type of suspension up to x12, 6 or 6,5 mm diameter or up to x10, 8 mm diameter ropes can be used. Furthermore our machine raft package **MRP** can also accomodate the Mody and Leo gearboxes with 240 or 320 mm traction sheave and in its 2:1 option can provide substantial savings.

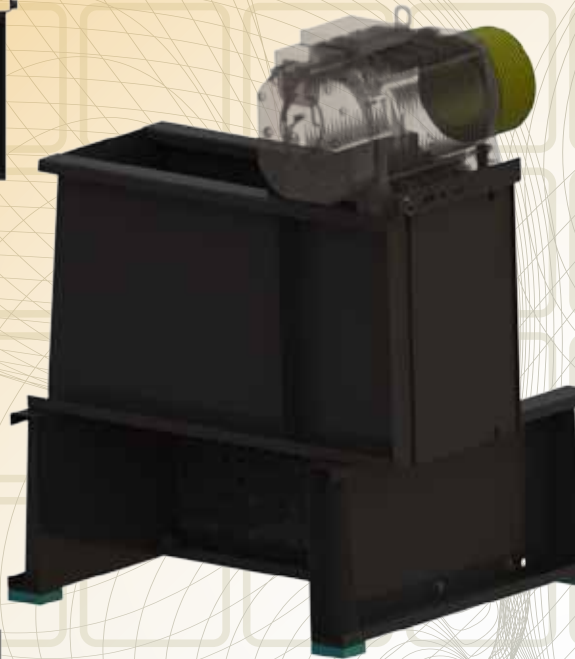
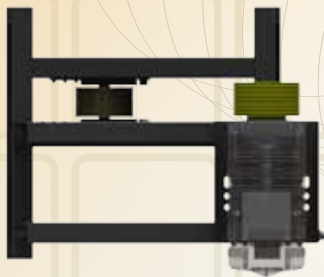
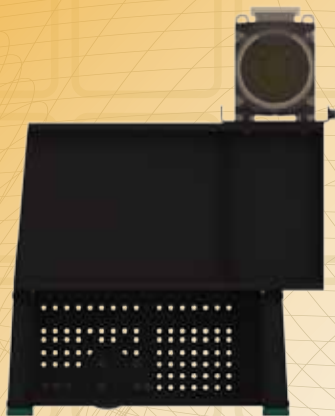
Type	TS Ø	Q max [1:1]/[2:1]	Vn max	Nom. torque	Weight
G200	210	225 kg /480 kg	1.6 m/s	190 Nm	max. 140 kg
G300	210-320	320 kg /630kg	1.6 m/s	270 Nm	max. 165 kg
G400LO/L1	210-320	630 kg /1100kg	1.6 m/s	650 Nm	max. 245 kg
Mody VF	240/320	480 kg /900kg*	< 1 m/s*	550 Nm	max. 171 kg
Leo VF	240/320	630 kg /1250kg*	< 1 m/s*	760 Nm	max. 192 kg

\* Certain limits apply

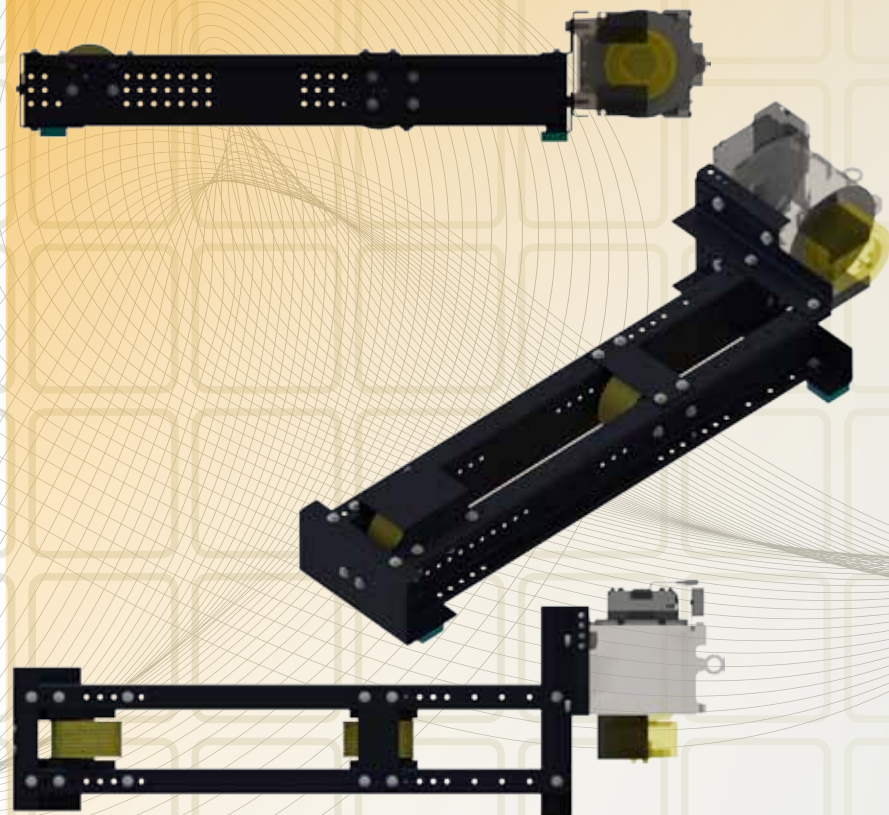
# Dynatech

Dynatech, a newcomer in the sector of gearless machines, is setting interesting trends with their Tornado model both on price and quality. Right from the beginning the target was that a gearless machine should not be more expensive than a gearbox. Dynatech also wants to establish themselves in the world of modernisation. Our machine raft package ***MRP*** accommodates the Tornado model D-60 through to D-280 with traction sheave diameters of 240 and 320 mm. Depending on the suspension type up to x12, 6 or 6,5 mm diameter or up to x10, 8 mm diameter ropes can be used.

Type	TS Ø	Q max [1:1]/[2:1]	Vn max	Nom. torque	Weight
D-60	240-320	225 kg / 450 kg	1.0 m/s	150 Nm	max. 150 kg
D-80	240-320	320 kg / 630kg	1.0 m/s	210 Nm	max. 160 kg
D-120	240-320	450 kg / 800kg	1.0 m/s	max 300 Nm	max. 180 kg
D-160	240-320	630 kg / 1000kg	1.0 m/s	max 420 Nm	max. 220 kg
D-220	240-320	800 kg / 1250kg	1.0 m/s	max 550 Nm	max. 250 kg
D-280	240-320	1000 kg / 1500kg	1.0 m/s	max 700 Nm	max. 300 kg



***MRP*** Single divertor



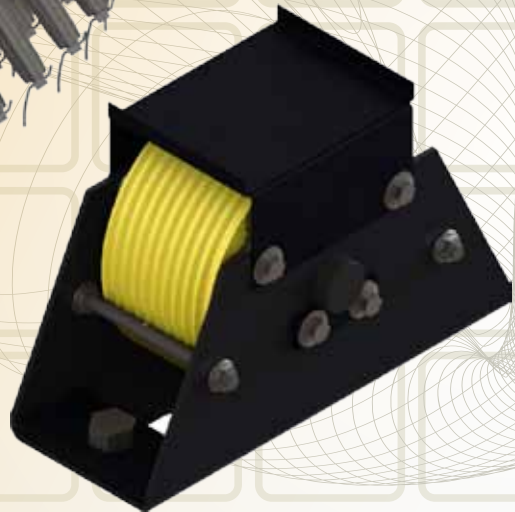
***WRP*** Double diverter

## *MRP* Conversion kit



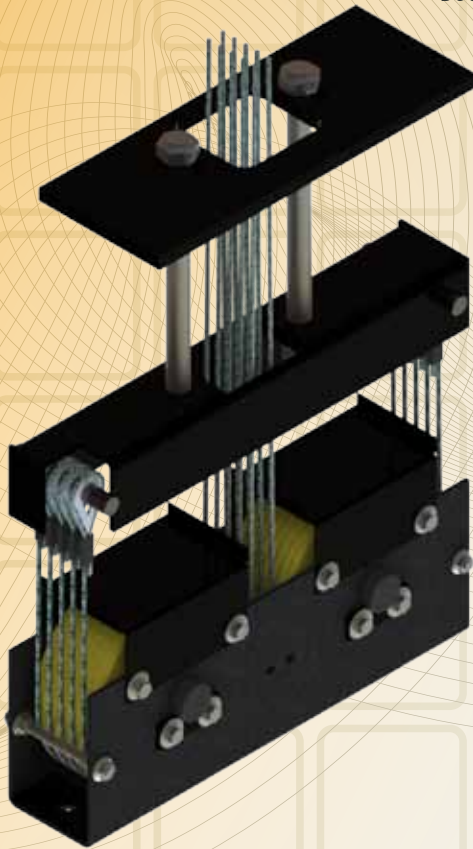
- Hitch point for car.

- Divertor kit for car.





## *MRP* Conversion kit



- Hitch point and diverter kit for counterweight.

## ***MRP*** Scope of supply

- Machine with standard encoder.
- Left or right handed machine raft in bolted sheet steel.
- Powder coated in RAL 9005 as standard.
- Sylomer® vibration dampers.
- 2:1 solution normally does not require new cut-outs in the slab.
- 1 or 2 diverter pulleys in polyamide PA6 G incl. shafts and bearings.
- Rope protection to EN81.
- Ropes cut-to-length from leading European manufacturers (Gustav Wolf, Drako, etc.).
- Rope anchors with springs to suit.
- Calculations of all load bearing elements.

## **MRP** Options

- 2:1 conversion kit incl. hitch points and diverter kit for car and counterweight sling.
- Megi<sup>®</sup> vibration dampers.
- Divertors in cast iron.
- Rope centres > 1.050 mm.
- Reinforced bearings (> 20.000 h).
- Loadweighing Micelect WR.
- Rope equalizing system Balance\*.
- Client specific colour or galvanized.

\* Certain limits apply.

Componentes de Tráfico Vertical  
Pol. Ind. La Huertecilla 44. 29196 Málaga (Spain)  
Tel: +34 952 20 71 66  
Fax: +34 952 20 32 91  
E-mail: [ctv@ctvlifts.com](mailto:ctv@ctvlifts.com)  
[www.ctvlifts.com](http://www.ctvlifts.com)